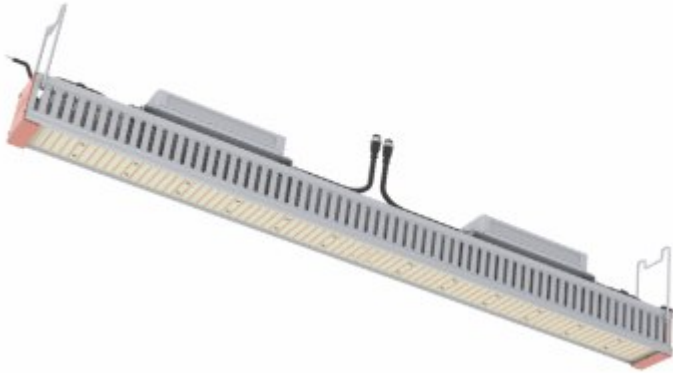


## DEMETER SERIES - TOP LIGHT 660W



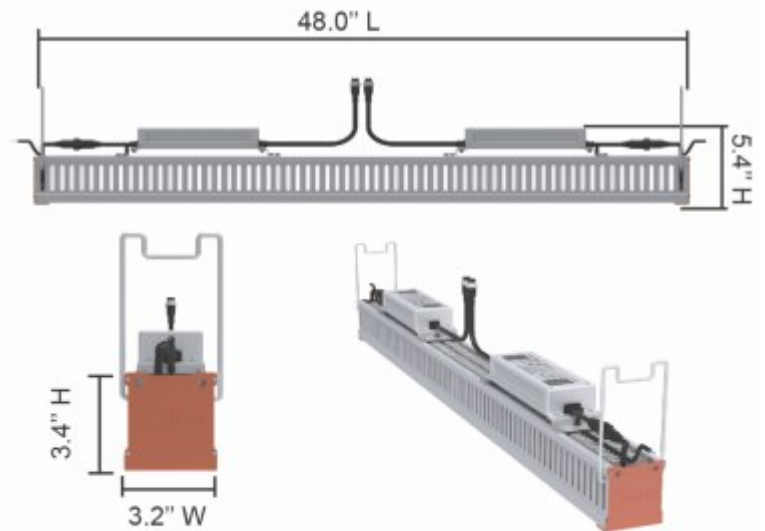
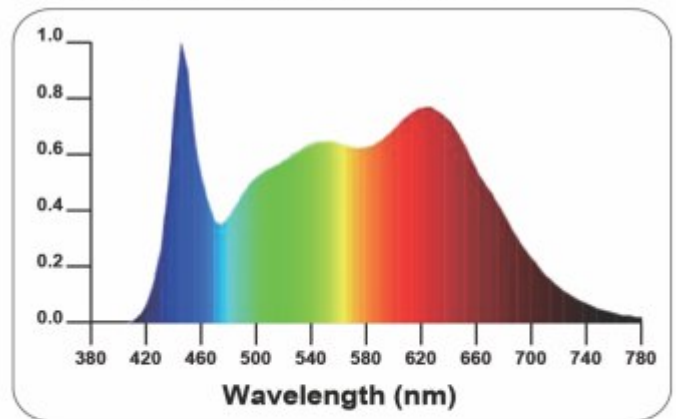
### SPECIFICATIONS

Model	Demter Series TOP LIGHT 660W
Light Source	LED
PPF	1716 umol/s
Input Power	660W
Efficacy	2.6umol/J
Input Voltage	90-305V <sup>①</sup> 347V-480V <sup>②</sup>
Lifetime	>50,000 Hours
Dimming	0 - 10V
BTUs	2250
Fixture Dimensions	48.0" L x 3.2" W x 5.4" H
Fixture Weight	16.5lbs
Certification	ETL Certified & IP66, CE
Warranty	5 Year Warranty

### Max Amperage By Voltage Service

Voltage	120V	208V	240V	277V	480V
Amperage	5.50A	3.18A	2.75A	2.39A	1.38A

### SWITCHGROW - FULL SPECTRUM



Series	MODEL	INPUT VOLTAGE	Beam Angle
Demerter	D-660W	1. 90-305V 2. 347-480V	120°

